

SPECIFICATIONS

Material: Boot: Neoprene.

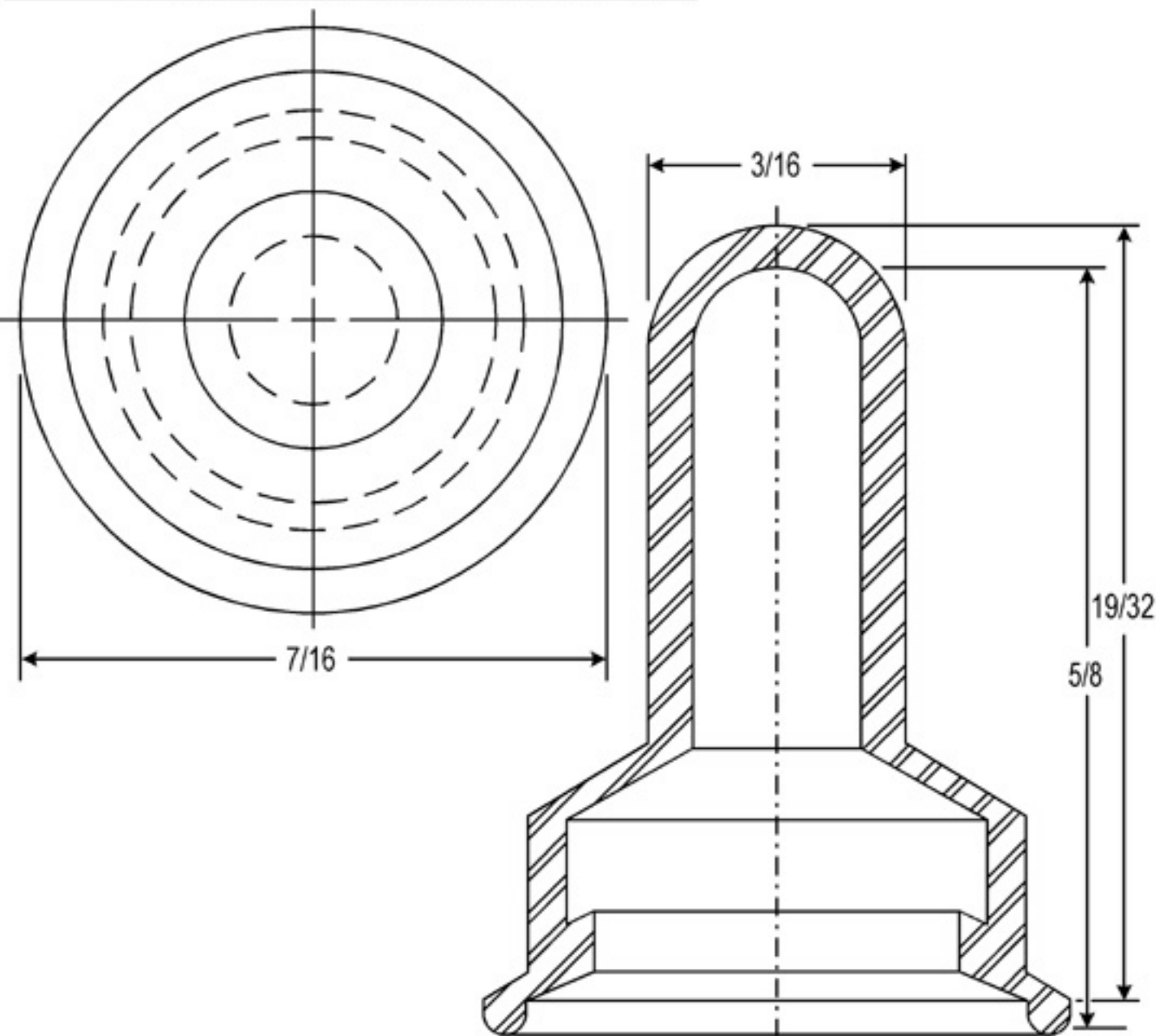
Color: black (other materials and colors available on special order.)

Temperature Range: -65°F to +300°F

Shelf Life: 2 years.

Installation: A. Mount the switch using SNAPSEEL® shouldered mounting nut.

B. Press SNAPSEEL® over switch actuator and snap over nut.



NOTE: MOUNTING NUT NOT INCLUDED - PURCHASE SEPARATELY IF NEEDED.

A		CAD COMPUTER GENERATED		9/23/02
REV.		DESCRIPTION		DATE
MATERIAL: NEOPRENE		TITLE: SNAPSEEL® FOR SUBMINIATURE TOGGLE SWITCHES (1111/9)	ENG. DWN.	M.M. 10-8-86
FINISH: BLACK			APM-HEXSEAL CORPORATION	SCALE 10:1

THIS DRAWING COVERS PROPRIETARY ITEM AND IS THE PROPERTY OF THE APM-HEXSEAL CORPORATION. THIS DRAWING IS NOT TO BE COPIED OR USED WITHOUT THE WRITTEN APPROVAL OF AN OFFICER OF THE APM-HEXSEAL CORPORATION.